

CATALOG #: \_\_\_\_\_

Type: \_\_\_\_\_

PROJECT: \_\_\_\_\_

## FEATURES

- Aesthetically designed to harmonize with a variety of architectural styles
- Provides security and accent lighting for walkways, courtyards and entrances
- Asymmetric distribution
- Concrete housing complements gardens, pathways, and pedestrian-area applications
- Available in four concrete colors with light sandblast or glazed protective finish
- Engineered with the highest quality materials to ensure reliability and performance
- Made Right Here® in the USA

## SPECIFICATIONS

- **HOUSING** – Steel reinforced precast concrete with a light sand blasted finish.
- **THERMAL MANAGEMENT** – Integral aluminum heatsink and LED source provide passive thermal management. Rated -30°C to 40°C ambient operating temperature.
- **LED HOUSING** – High-grade cast aluminum with superior corrosion resistance. Silver polyester powder coat finish bonded to phosphate-free, multi-stage pretreated metal, meets and exceeds AAMA 2604 specifications for outdoor durability.
- **LED MODULE** – High quality mid-power LED board. L70 >50,000 hours.
- **ELECTRICAL** – 10kA/10kV surge protection standard. Calculated L70 lumen maintenance will exceed 50,000 hours per IES TM-21.
- **MOUNTING** – Minimum 4” recessed in ground with four-point hot dip galvanized 1/4” A36 steel baseplate. For accurate installation a fullscale mounting template is provided with each bollard and anchor bolt order. Fixture weight: 328 lbs.
- **HANDHOLE COVER** – Grounded stainless steel plate with precast concrete secured with vandal resistant torx fastener.
- **LISTINGS** –
  - cCSAus certified as luminaire suitable for wet locations.
  - IDA Dark-Sky approved.
  - Tested to IES LM-79-08 standards.
  - RoHS compliant.
  - IP66 rated
- **WARRANTY** – 5-year limited warranty, see [hew.com/warranty](http://hew.com/warranty).

ORDERING EXAMPLE: VCBT - L6/840 - NC - AB - OPTIONS - 120

## ORDERING INFO

SERIES	LUMENS <sup>[1]</sup>	CRI	CCT	CONCRETE FINISH <sup>[2]</sup>	ANCHOR BOLTS
VCBT	L6 600lm	8 80	27 2700K	<b>SANDBLAST FINISH</b>	<b>AB</b> Anchor bolts <sup>[3]</sup>
			30 3000K	<b>NC</b> Natural	<b>LAB</b> Less anchor bolts
			40 4000K	<b>BF</b> Buff	<b>PAB</b> Pre-shipped anchor bolts <sup>[4]</sup>
			50 5000K	<b>BN</b> Brown	
				<b>CP</b> Copper	
				<b>GLAZED SANDBLAST FINISH</b>	
				<b>NCG</b> Natural with glazed protective sealant	
				<b>BNG</b> Brown with glazed protective sealant	
				<b>BFG</b> Buff with glazed protective sealant	
				<b>CPG</b> Copper with glazed protective sealant	

## OPTIONS

OPTIONS	VOLTAGE
<b>SFW</b> Single fuse, wet location <sup>[5]</sup>	120 120V
<b>DFW</b> Double fuse, wet location <sup>[6]</sup>	208 208V
	240 240V
	277 277V <sup>[7]</sup>
	347 347V <sup>[8]</sup>
	480 480V <sup>[9]</sup>

## NOTES

- 1 Lumen output based on 120V input, 4000K/80CRI. Actual lumens may vary +/-5%. See page 2 for FIXTURE PERFORMANCE DATA.
- 2 See page 3 for FINISH OPTIONS.
- 3 Four 3/8” x 12” cast-in galvanized steel anchor J-bolts. Mounting template included. Shipped with fixture.
- 4 Four 3/8” x 12” cast-in galvanized steel anchor J-bolts. Mounting template included.

- 5 120V, 277V, or 347V only; must specify voltage.
- 6 208V, 240V, or 480V only; must specify voltage.
- 7 Integral stepdown transformer.
- 8 Integral stepdown transformer.
- 9 Integral stepdown transformer.



## FIXTURE PERFORMANCE DATA

	VOLTAGE	FLUX (LM)	WATTAGE
L6	120	593	17
	208	559	16
	240	630	19
	277	633	20
	347	590	19
	480	630	19

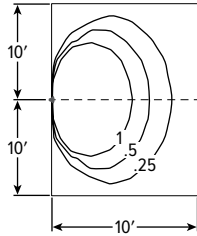
## MULTIPLIER TABLE

COLOR TEMPERATURE	
CCT	CONVERSION FACTOR
2700K	0.95
3000K	0.98
4000K	1.00
5000K	1.02

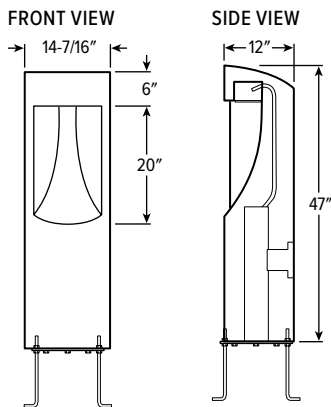
- Wattage shown is average for 120V through 277V input.
- Efficacy/lumen output shown is average based on voltage input of 120V through 277V.
- Photometrics tested in accordance with IESNA LM-79. Results shown are based on 25°C ambient temperature.
- Use multiplier table to calculate additional options.

## FOOTCANDLE ESTIMATOR & DISTRIBUTION

VCBT-L6/840-NC Report #: ATAL009236-R2; 05/29/15 | Total Luminaire Output: 647 lumens; 16.85 Watts | Efficacy: 38.2 lm/W | 81 CRI; 3797K CCT



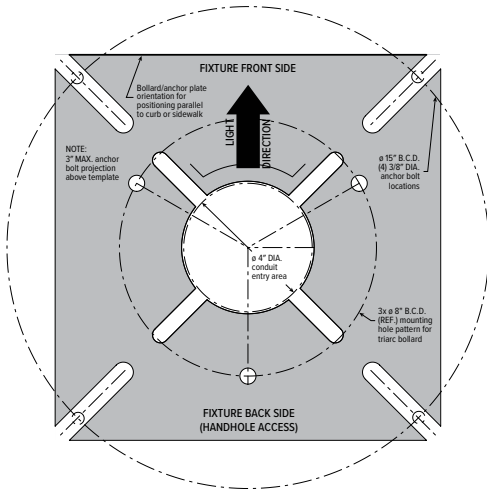
## CROSS SECTIONS



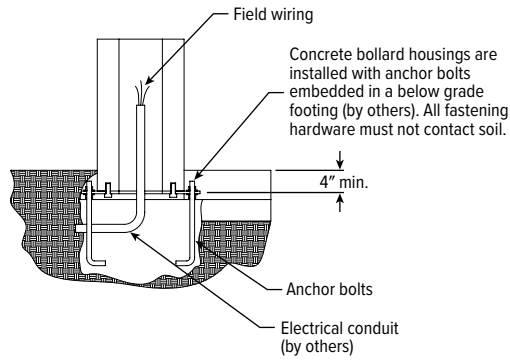
# VCBT LED Voltaire Concrete Bollard – Triarc

## MOUNTING DETAILS

### MOUNTING TEMPLATE



### INSTALLATION



Mounting template is provided with each order. A pdf file (not to scale) of the mounting template is available at [www.hew.com](http://www.hew.com).

## FINISH OPTIONS

