

CATALOG #: _____

TYPE: _____

PROJECT: _____

FEATURES

- Variable uplight options
- Tailored performance with narrow, medium and wide distributions and lens options
- Maximize energy savings with efficacies as high as 140 lm/W
- Clear and diffuse lens options
- Open construction with aluminum heat sinks to maximize air flow and cooling
- Rated up to 65°C maximum ambient operating temperature
- Made Right Here® in the USA

SPECIFICATIONS

- **HOUSING** – Aluminum and steel construction.
- **FINISH** – Nickel and textured black powder coat bonded to phosphate-free, multi-stage pretreated metal. Painted after fabrication to facilitate installation, increase efficiency, and inhibit corrosion.
- **ELECTRICAL** – High quality mid-power LED boards. Surge protection >6kV. L70 >54,000 hours. -35°C – 65°C ambient operating temperature, lumen restrictions apply, consult Fixture Performance Data. 45°C maximum ambient operating temperature when specified with EM battery.
- **MOUNTING** – Suspended. Surface mount kit available.
- **LISTINGS** –
 - cCSAus certified as luminaire suitable for dry or damp locations.
 - DesignLights Consortium qualified product. Not all versions of this product may be DLC qualified, see the DLC Qualified Products List at www.designlights.org/QPL
- **WARRANTY** – 5-year limited warranty, see hew.com/warranty.

ORDERING EXAMPLE: GP4 - L460/850 - M - OPTIONS - CONTROL - DIM - UNV

ORDERING INFO

SERIES	LUMENS ^[1]	CRI	CCT	DISTRIBUTION
GP2 2 Module	GP2	8 80	40 4000K	N Narrow
GP4 4 Module	L93 9,300lm	L300 30,000lm	L500 50,000lm	M Medium
GP6 6 Module	L150 15,000lm	L350 35,000lm	L550 55,000lm	W Wide
	L200 20,000lm	L400 40,000lm	L600 60,000lm	
	L230 23,000lm	L460 46,000lm	L650 65,000lm	
			L740 74,000lm	

OPTIONS^[2]

EM/10W	10-watt emergency LED battery ^[3]	GP6-SMK	Surface mount kit for GP6 ^[12]
EM/12W	12-watt emergency LED battery ^[4]	S7238/B	72" cord, 3-conductor, No. 18 AWG, black ^[13]
EM/20W	20-watt emergency LED battery ^[5]	S7258/B	72" cord, 5-conductor, No. 18 AWG, black ^[14]
UP	Uplight reflector	6CPI/L5-15P/TWLK	6' cord and NEMA twistlock 15 AMP plug, 120V ^[15]
UPM	Modules in uplight orientation ^[6]	6CPI/L7-15P/TWLK	6' cord and NEMA twistlock 15 AMP plug, 277V ^[16]
UPMA	All modules in uplight orientation ^[7]	WG11	11-gauge wireguard, chrome powder coated ^[17]
CL	Clear polycarbonate lens ^[8]	GS/Y26/10	Cable suspension kit, 10' adjustable length ^[18]
DL	Diffuse polycarbonate lens ^[9]	HUB MT 3/4"	Cast iron hub and junction box for single 3/4" pendant mount ^[19]
VBV	(2) Y-hangers	HUB/HOOK MT	Cast iron hub with mounting hook ^[20]
VBV-2	(2) Y-hangers and (2) 2' chains	HOOK/CABLE	Hook and cable mounting kit, 10'
GP2-SMK	Surface mount kit for GP2 ^[10]	FSIR-100	Remote controller for sensor HBP-111 ^[21]
GP4-SMK	Surface mount kit for GP4 ^[11]		

CONTROLS^[22]

–	None	DRIVER^[23]	VOLTAGE^[24]
LV-OSFHU-I4W-208/240/480	Leviton PIR motion sensor, 208/240/480V	DIM	Driver with external dimming wires
LV-OSFHU-ITW-120-347	Leviton PIR motion sensor, 120-347V	DRV	Driver without external dimming wires
WS-FSP-321B-L_-120-480	Wattstopper PIR motion sensor with daylight harvesting using 0-10V internal control, 120V-480V ^[25]		210 120V
			208 208V
			240 240V
			277 277V
WS-HBP-111-L7-120/277/347	Wattstopper PIR motion and daylight hold off sensor, 120/277/347V ^[26]		UNV 120-277V
			347 347V ^[27]
			480 480V ^[28]

NOTES

- Lumen output based on 4000 CCT. Actual lumens may vary +/-5%, see page 2 for FIXTURE PERFORMANCE DATA. Additional lumen package available, see options
- See page 4 for OPTIONS DETAILS. See page 5 for MOUNTING ACCESSORIES.
- 120-277V only. End mount, increases fixture size. See page 5 for FIXTURE DETAILS.
- For use with GP2, 120-277V only. End mount, increases fixture size; See page 5 for FIXTURE DETAILS.
- For use with GP4 and GP6, 120-277V only. End mount, increases fixture size. See page 5 for FIXTURE DETAILS.
- One module for GP2, two modules for GP4 and GP6; See page 4 for UPLIGHT MODULE DETAILS. Ambient temperature restrictions apply. See page 2 for FIXTURE PERFORMANCE DATA.
- Wide distribution only; Ambient temperature restrictions apply. See page 2 for FIXTURE PERFORMANCE DATA.
- Wide distribution only.
- Wide distribution only.
- Not available with UPM or UPMA.
- Not available with UPM or UPMA.
- Not available with UPM or UPMA.
- DRV only.
- DIM only.
- DRV only.
- DRV only.
- Recommended with optional DL lens to eliminate striations.
- 1 pair.
- Shipped not attached.
- Shipped not attached.
- Please specify quantity required per project, ships separately.
- See page 3 for CONTROL DETAILS.
- Consult factory for additional driver options.
- Must specify voltage (not UNV) if using cord and plug or occupancy sensor.
- Must specify lens: L3 or L7. Factory installed.
- Adjustable via remote. Optional FSIR-100 remote controller available, ordered separately and shipped separately.
- Not available with EM batteries.
- Not available with EM batteries.



FIXTURE PERFORMANCE DATA

	LED PACKAGE	DELIVERED LUMENS	WATTAGE	EFFICACY (lm/W)	MAXIMUM TEMPERATURE (°C)					
					STANDARD		SURFACE MOUNT KIT		UPLIGHT MODULE ¹	
					NO LENS	WITH LENS	NO LENS	WITH LENS	NO LENS	WITH LENS
GP2	L93	9281	66	140	65	55	61	51	45	40
	L150	14770	107	138	60	55	56	51	45	40
	L200	19818	157	126	60	50	56	46	45	35
	L230	23310	187	125	55	40	51	36	40	30
GP4	L300	29015	236	123	60	55	56	51	45	40
	L350	34147	278	123	60	55	56	51	45	40
	L400	38934	317	123	60	50	56	46	45	35
	L460	45793	375	122	55	40	51	36	40	30
GP6	L500	52871	402	131	60	55	56	51	45	40
	L550	57596	438	132	60	55	56	51	45	35
	L600	63000	479	131	60	50	56	46	40	30
	L650	68200	520	131	55	40	51	36	40	30
	L740	74099	566	131	55	40	51	36	40	30

- Photometrics tested in accordance with IESNA LM-79. Results shown are based on 25°C ambient temperature.
 - Wattage shown is average for 120V through 277V input.
 - Results based on relative CCT output. Performance is the same for 4000 and 5000 CCT.
 - Use multiplier tables to calculate additional options.
- ¹ Minimum of 48" from mounting surface required for upright modules.

MULTIPLIER TABLES

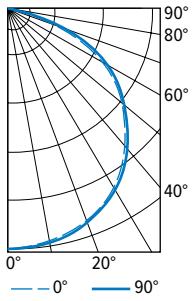
DISTRIBUTION	
N	0.94
M	0.95
W	1.00

LENS	
CL	0.94
DL	0.76

AMBIENT TEMPERATURE	
AMBIENT TEMP (°C)	FLUX
25	1.00
40	0.95
50	0.91
55	0.90
60	0.89
65	0.87

PHOTOMETRY

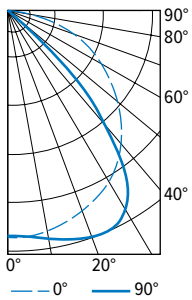
GP2-L230/850-W-DIM-UNV Report #: 19477; 09/06/16 | Total Luminaire Output: 23310 lumens; 187 Watts | Efficacy: 124.7 lm/W | 82.2 CRI; 5089K CCT



VERTICAL ANGLE	HORIZONTAL ANGLE			ZONAL LUMENS
	0°	45°	90°	
0	8090	8090	8090	
5	8116	8074	8037	770
15	7882	7870	7827	2226
25	7358	7397	7396	3417
35	6599	6674	6744	4193
45	5581	5654	5686	4382
55	4333	4419	4469	3961
65	2884	3003	2554	2853
75	1342	1148	982	1294
85	186	189	180	215
90	0	0	0	

LUMEN SUMMARY	ZONE	LUMENS	% FIXTURE
	0 - 30	6413	28
0 - 40	10606	46	
0 - 60	18949	81	
0 - 90	23310	100	
0 - 180	23310	100	

GP4-L460/850-M-DIM-UNV Report #: 19518; 09/23/16 | Total Luminaire Output: 43369 lumens; 376 Watts | Efficacy: 115.6 lm/W | 82.0 CRI; 5038K CCT

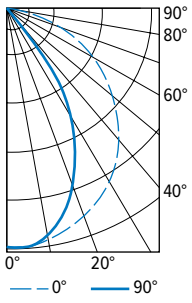


VERTICAL ANGLE	HORIZONTAL ANGLE			ZONAL LUMENS
	0°	45°	90°	
0	18379	18379	18379	
5	18368	18443	18497	1760
15	17875	18750	19293	5294
25	16843	18801	19596	8569
35	15263	17918	16637	10609
45	13001	13632	7091	9098
55	10269	4199	591	4973
65	7110	461	53	2401
75	3524	39	16	576
85	530	9	5	90
90	0	0	0	

LUMEN SUMMARY	ZONE	LUMENS	% FIXTURE
	0 - 30	15623	36
0 - 40	26231	61	
0 - 60	40302	93	
0 - 90	43369	100	
0 - 180	43369	100	



GP4-L460/850-N-DIM-UNV Report #: 19519.1; 10/11/16 | Total Luminaire Output: 43160 lumens; 376 Watts | Efficacy: 114.8 lm/W | 82.2 CRI; 5072K CCT

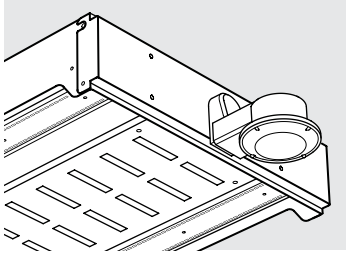


VERTICAL ANGLE	HORIZONTAL ANGLE			ZONAL LUMENS
	0°	45°	90°	
0	28659	28659	28659	
5	28349	28790	28313	2729
15	27478	27156	25820	7651
25	25439	22362	18867	10321
35	22505	15313	10638	10231
45	18605	7883	95	6421
55	13942	143	0	3607
65	8957	0	0	1614
75	3983	0	0	536
85	358	0	0	49
90	0	0	0	

LUMEN SUMMARY	ZONE	LUMENS	% FIXTURE
	0 - 30	20701	48
	0 - 40	30932	72
	0 - 60	40961	95
	0 - 90	43160	100
	0 - 180	43160	100

CONTROL DETAILS

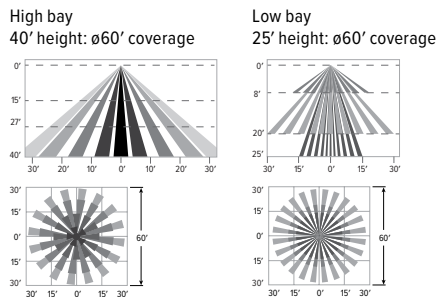
SENSOR PLACEMENT



LV-OSFHU-I4W-208/240/480 or LV-OSFHU-ITW-120-347

SPECIFICATIONS	
TYPE	PIR Motion
MOUNTING HEIGHT	8' – 40'
LENS	Interchangeable high bay, low bay or aisle mask
DETECTION ANGLE	360°
TEMPERATURE RANGE	-10° to 71°C
RELATIVE HUMIDITY	20% to 90% non-condensing
MANUFACTURER	Leviton

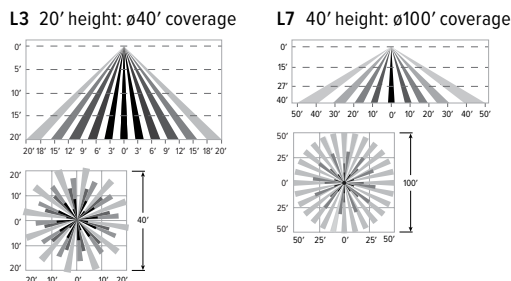
SENSOR COVERAGE PATTERNS



WS-FSP-321B-L3-120-480

SPECIFICATIONS	
TYPE	PIR Motion + Daylight Harvesting
MOUNTING HEIGHT	15' – 40'
DETECTION ANGLE	360°
TEMPERATURE RANGE	-40° to 75°C
COMMISSIONING	App (iOS or Android)
MANUFACTURER	Wattstopper

SENSOR COVERAGE PATTERNS

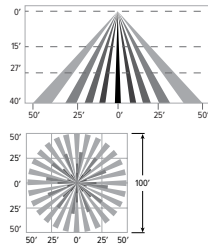


WS-HBP-111-L7-120/277/347

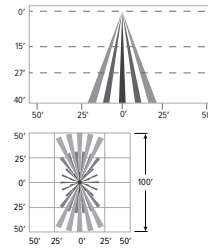
SPECIFICATIONS	
TYPE	PIR Motion + Daylight Hold Off
MOUNTING HEIGHT	15' – 40'
DETECTION ANGLE	360°
TEMPERATURE RANGE	0° to 70°C
RELATIVE HUMIDITY	5 to 95%, non-condensing
COMMISSIONING	FSIR-100 Remote
MANUFACTURER	Wattstopper

SENSOR COVERAGE PATTERNS

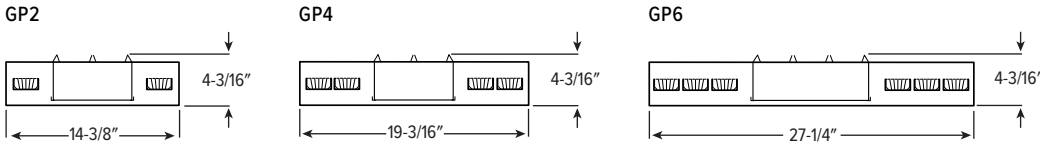
40' height: ø100' coverage



With mask: 40' height: ø50' coverage



CROSS SECTIONS



OPTIONS DETAILS

CLEAR LENS



DIFFUSE LENS



UPLIGHT REFLECTOR



UPLIGHT % OF TOTAL FLUX

	GP2	GP4	GP6
UPLIGHT REFLECTOR			
N	8.4	4.2	2.6
M	8.2	4.1	2.5
W	8.6	4.3	2.7
CL	10.0	5.0	3.1
DL	16.0	8.0	4.9
UPLIGHT MODULES			
UPM	50.0	50.0	33.3
UPMA	100.0	100.0	100.0

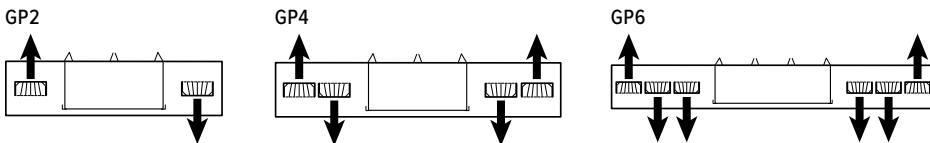
WIREGUARD



OCCUPANCY SENSOR

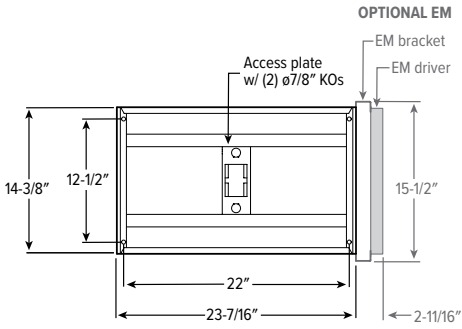


UPM UPLIGHT MODULE DETAILS

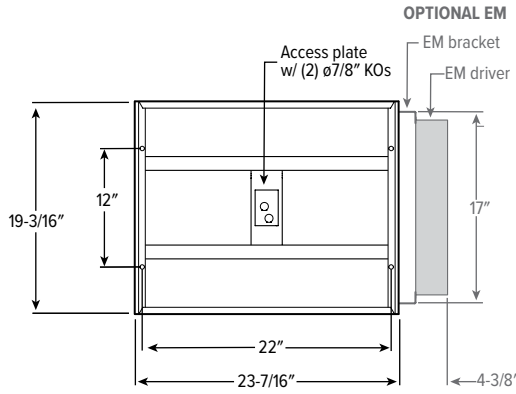


FIXTURE DETAILS

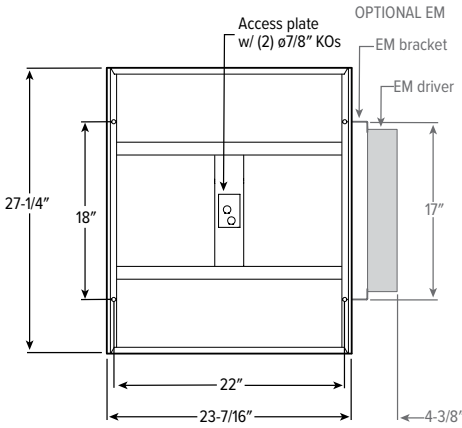
GP2



GP4

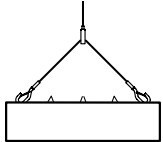


GP6

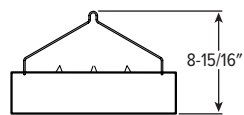


MOUNTING ACCESSORIES

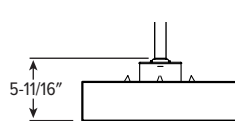
GS/Y26/10



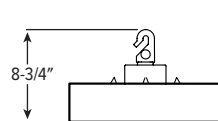
VBY OR VBY-2



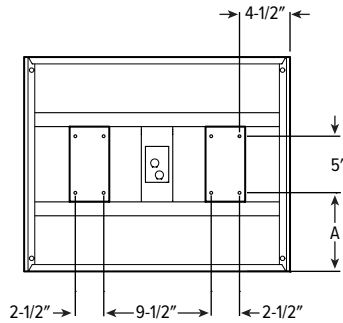
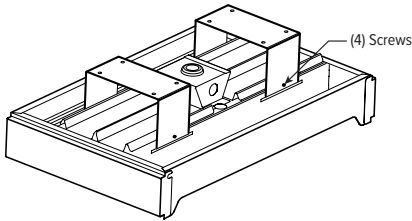
HUB MT 3/4"



HUB/HOOK MT



SURFACE MOUNT KIT (SHIPS SEPARATELY)



Cross Section



Backview Dimension A

GP2	GP4	GP6
4-11/16"	7"	11-1/8"

