

CATALOG #: _____

TYPE: _____

PROJECT: _____

FEATURES

- Fully gasketed fixture resists dust, bugs, and moisture
- Standard stainless steel latches protect the fixture from corrosion in harsh environments
- Latches ensure a tight seal and provide easy access to electrical components
- Optional tamper-resistant latches available
- Closed-cell polyurethane gasket poured and formed in place to ensure tight seal – does not absorb water or support fungal growth
- TLED fixtures provide on-site lamping flexibility and simple installation
- Stainless steel latches are available for harsh environments
- Made Right Here® in the USA

SPECIFICATIONS

- ENCLOSURE** – Outer housing consists of 5VA (f1) fiberglass, rated for flame and weather resistance.
- INTERNAL HOUSING** – 25-gauge die-formed C.R.S.
- LATCHING** – Stainless steel latches. Injection-molded polycarbonate latches available (not recommended for use in harsh environments, such as a car wash).
- REFLECTIVE SURFACES** – 92% minimum average reflective white polyester powder coat bonded to phosphate-free, multi-stage pretreated metal.
- SHIELDING** – Clear polycarbonate or acrylic UV stabilized diffuser.
- ELECTRICAL** – Prewired for Type B, single or double end, LED tubes. Lamps by others.
- MOUNTING** – Surface or suspended. Stainless steel ceiling mount bracket standard.
- LISTINGS** –
 - UL/CUL listed as LED surface luminaire suitable for dry or damp locations.
 - UL/CUL listed as suitable for wet locations when specified with watertight hub, STOW cord, or mini-male receptacle option.
 - NSF/ANSI Standard 2–Splash Zone certified, IP65, IP66, and IP67 certified, and rated for NEMA 4X.
- WARRANTY** – 5-year limited warranty, see hew.com/warranty.

ORDERING EXAMPLE: 96 - 4 - 24T8LS/B - PC - OPTIONS - UNV

ORDERING INFO

SERIES	NOMINAL LENGTH	TOTAL LAMPS ⁽¹⁾	LAMP SIZE	WIRING	LAMP TYPE
96	4 4'	4' Fixtures	4T5L 4' T5 LED tube	S Single end ^[2]	B Type B
	8 8'	1, 2, or 3 8' Fixtures 2, 4, or 6	4T8L 4' T8 LED tube	D Double end	

SHIELDING

PC	Drop, clear, 100% polycarbonate diffuser ^[4]
HIA	Drop, high-impact injection-molded acrylic ^[5]
HIAFR	Frosted, ribbed, impact-resistant acrylic
DFR	Drop, frosted, 100% acrylic, impact-resistant diffuser
DCL	Drop, clear, 100% acrylic, impact-resistant diffuser with frosted ends

OPTIONS ^[3]

3WC6	3-wire, 6' STOW cord
3WC20	3-wire, 20' STOW cord
3WMR	3-wire mini-male receptacle only
3WMRC6	3-wire mini-male receptacle with 6' STOW cord
3WMRC20	3-wire mini-male receptacle with 20' STOW cord
WET/1	(1) 1/2" watertight hub, side access ^[6]
WET/2	(2) 1/2" watertight hubs, side access ^[7]
WTT/1	(1) 1/2" watertight hub, back access ^[8]
WTT/2	(2) 1/2" watertight hubs, back access ^[9]
SSCMB	Stainless steel chain mounting brackets ^[10]
PCL	Injection-molded polycarbonate latches. ^[11]
TP	Tamper-resistant screws ^[12]
WMB	Stainless steel 45° wall mount bracket ^[13]
GMF	Fuse, slow blow
GLR	Fuse, fast blow

VOLTAGE

UNV 120-277V

OCCUPANCY SENSORS

OCCWS HB350W-L3W Factory-installed occupancy sensor ^[14]

ACCESSORIES

TPTG TOOL Tamper-resistant tool for tri-groove screws. ^[15]

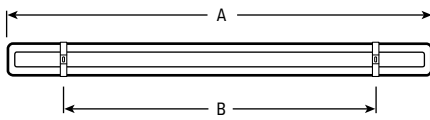
NOTES

- 1, 2, or 3-lamp cross-section.
- Due to differences in wiring of TLED lamps, samples of specified lamp must be provided at time of fixture order.
- Wet location cord sets are yellow. See page 2 for MOUNTING DETAILS. Stainless steel latches required for applications with harsh chemicals.
- Vacuum-formed. 4' only, standard.
- Standard in 8' units.
- Factory-installed in end of housing.
- Factory-installed in ends of housing. Not available with occupancy sensor option.
- 4' only, factory-installed in back of fixture.
- 4' only, factory-installed in back of fixture.
- 2 per fixture, field installed.
- Not recommended for use in harsh environments, such as a car wash.
- This option requires a tamper-resistant tool, see Accessories.
- 2 per fixture.
- Not available with IP66 or IP67 certification when specified with occupancy sensor. See page 2 for OCCUPANCY SENSOR DETAILS.
- Tamper-resistant tool must be ordered separately. Please specify quantity required per project.



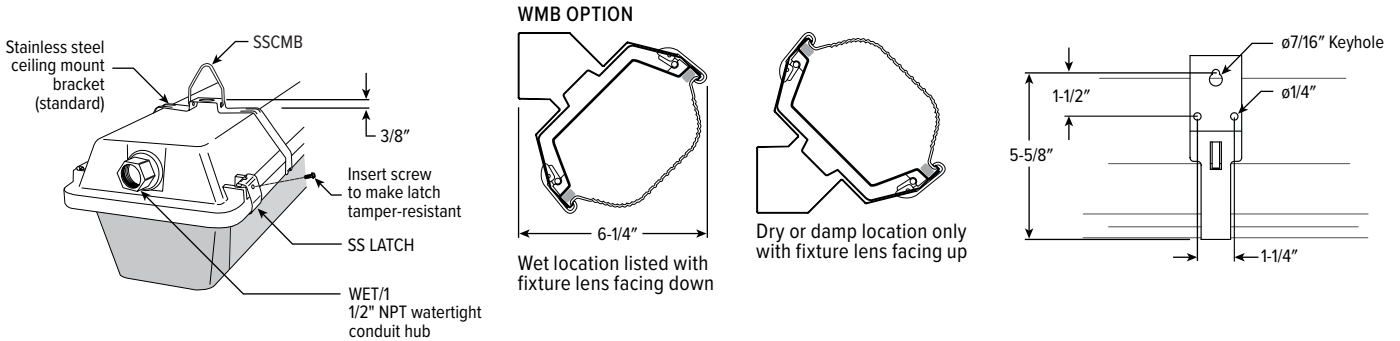
FIXTURE DETAILS

BACKVIEW

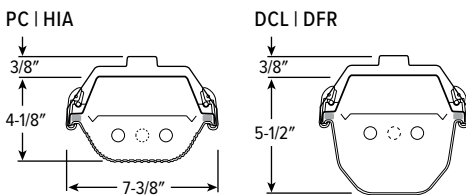


NOMINAL LENGTH	ACTUAL LENGTH (A)
4'	51-3/4"
8'	100"

MOUNTING DETAILS

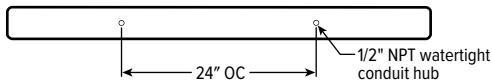


CROSS SECTIONS



OPTIONS DETAILS

WTT/1 | WTT/2



OCCUPANCY SENSOR DETAILS

ORDERING EXAMPLE: OCCWS HB350W-L3W

FEATURES

- Line voltage passive infrared (PIR)
- Adjustable time delay (15 seconds to 30 minutes)
- Factory preset to 15 minutes
- IP65 rated for use in wet locations
- 24' diameter coverage at 20' mounting height

LENS COVERAGE PATTERN

