



# 8DR LED 8" Downlight – Round

## FIXTURE PERFORMANCE DATA

	DIST.	DELIVERED LUMENS	WATTAGE	EFFICACY (lm/W)
L20	W	2010	24.3	82.7
	M	1991	24.3	81.9
L40	N	1824	24.3	75.1
	W	4005	46.4	86.3
	M	3966	46.4	85.5
L60	N	3634	46.4	78.3
	W	6000	71.9	83.4
	M	5943	71.9	82.7
L80	N	5444	71.9	75.7
	W	8007	95.1	84.2
	M	7931	95.1	83.4
	N	7265	95.1	76.4

### MULTIPLIER TABLES

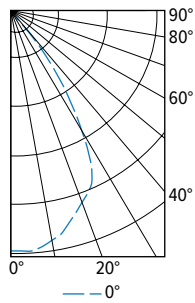
	COLOR TEMPERATURE		
	CCT	CONVERSION FACTOR	
80 CRI	2700K	0.92	
	3000K	0.98	
	3500K	1.00	
	4000K	1.01	
90 CRI	2700K	0.76	
	3000K	0.79	
	3500K	0.82	
	4000K	0.84	
		5000K	0.88

REFLECTOR FINISH	
CATALOG NUMBER	CONVERSION FACTOR
CS	1.00
SG <sup>1</sup>	0.92
GD	0.93
CG	0.96
PW	0.86
SPC	1.02
RG	0.88
WH <sup>1</sup>	0.89
BL <sup>1</sup>	0.47

- <sup>1</sup> Distribution will also be affected, consult factory.
- Photometrics tested in accordance with IESNA LM-79. Results shown are based on 25°C ambient temperature.
  - Wattage shown is based on 120V input.
  - Results based on 3500K, 80 CRI, actual lumens may vary +/-5%
  - Use multiplier tables to calculate additional options.

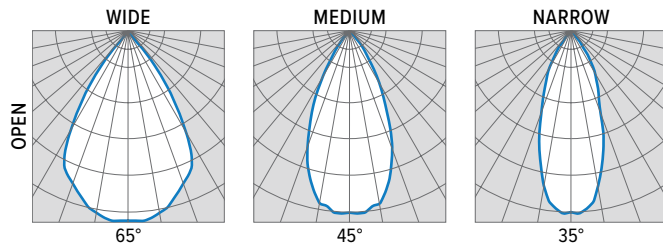
## PHOTOMETRY

8DR-L60/835-OW-CS Total Luminaire Output: 6000 lumens; 71.9 Watts | Efficacy: 83 lm/W | 80 CRI; 3500K CCT



CANDLEPOWER DISTRIBUTION	VERTICAL ANGLE	HORIZONTAL ANGLE	ZONAL LUMENS
		0°	
	0	5866	
	5	5903	554
	15	5382	1514
	25	4655	2084
	35	2299	1432
	45	359	330
	55	48	46
	65	24	24
	75	12	12
	85	3	3
	90	0	

LUMEN SUMMARY	ZONE	LUMENS	% FIXTURE
	0 - 40	5585	93
	0 - 60	5960	99
	0 - 90	6000	100
	0 - 180	6000	100



## ADDITIONAL CONTROL OPTIONS

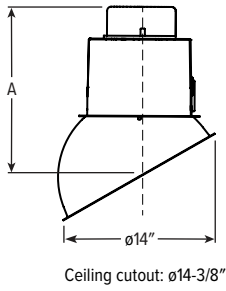
Lumen restrictions apply: L40 max for DMX driver, L20 max for Lutron drivers, L40 max for ELDO drivers, L40 max for DIM LINE driver. R Mounting Type not available with DMX controls. R Mounting Type requires 12" minimum plenum depth when specified with VRF/DBI controls. 347V may require stepdown transformer, see product builder at [hew.com/product-builder](http://hew.com/product-builder).

CATALOG NUMBER	DESCRIPTION
DIM	Dimming driver prewired for 0-10V low voltage applications
DIM1	1% dimming driver prewired for 0-10V low voltage applications
DIM LINE	Line voltage dimming driver (TRIAC and ELV compatible at 120V only)
DMX	0.1% dimming driver for DMX controls
LTE LINE	Lutron Hi-lume 1% 2-wire dimming driver forward phase line voltage controls (120V only)
LDE1	Lutron Hi-lume 1% EcoSystem dimming LED driver
VRF/DBI/LDE1	Lutron Vive integral fixture control, RF only (DFCSJ-OEM-RF), Lutron Hi-lume 1% EcoSystem dimming LED driver, and digital link interface
FCJS/DIM	Lutron Vive PowPak wireless fixture control with dimming driver
FCJS/DIM1	Lutron Vive PowPak wireless fixture control with 1% dimming driver
ELDO SOLOB	EldoLED Solodrive, 0.1% dimming driver for 0-10V controls
ELDO SOLOB DALI	EldoLED Solodrive, 0.1% dimming driver for DALI controls
ELDO ECO1	EldoLED Ecodrive, 1% dimming driver for 0-10V controls
ELDO ECO1 DALI	EldoLED Ecodrive, 1% dimming driver for DALI controls



# 8DR LED 8" Downlight – Round

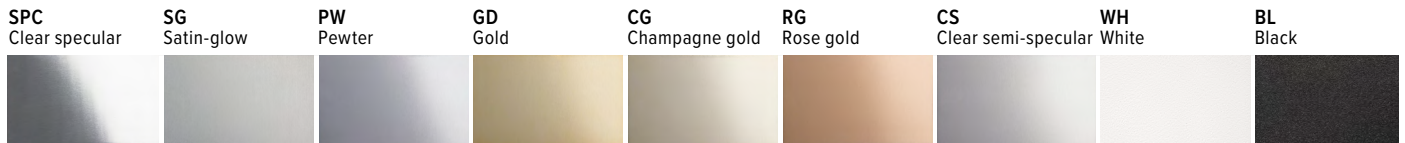
## SLOPED CEILING ADAPTOR DETAILS



LUMENS	A (HEIGHT)						PLENUM HEIGHT
	5°	10°	15°	20°	25°	30°	
L20 - L40	13-5/16"	13-3/8"	13-5/16"	13-3/16"	13"	12-5/8"	13-3/4"
L60 - L80	14-3/4"	14-13/16"	14-3/4"	14-5/8"	14-5/16"	14"	15"

30° Shown

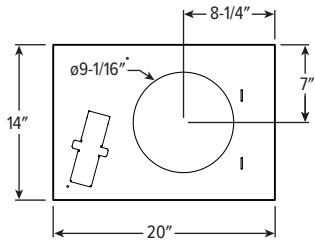
## REFLECTOR FINISH DETAILS



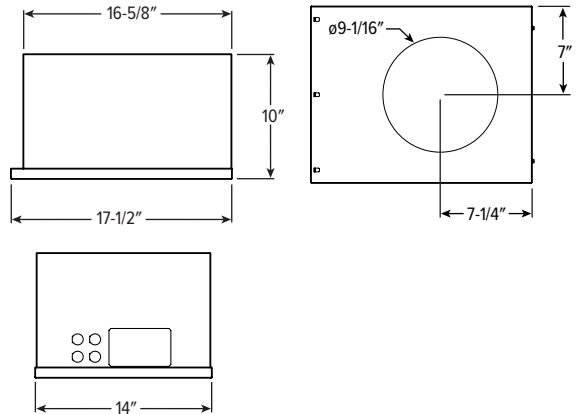
## MOUNTING TYPE DETAILS

Ceiling cutout 9-1/16" for all mounting types.

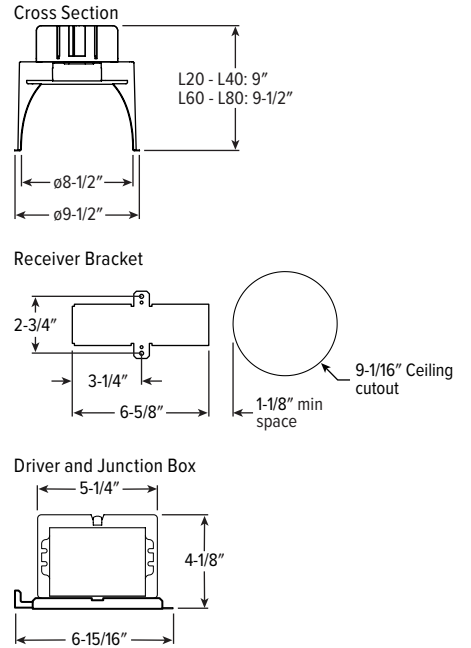
### NEW CONSTRUCTION



### IC-RATED

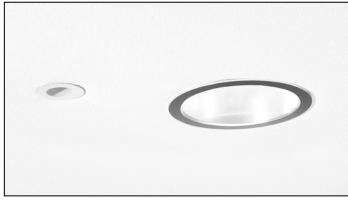


### REMODEL

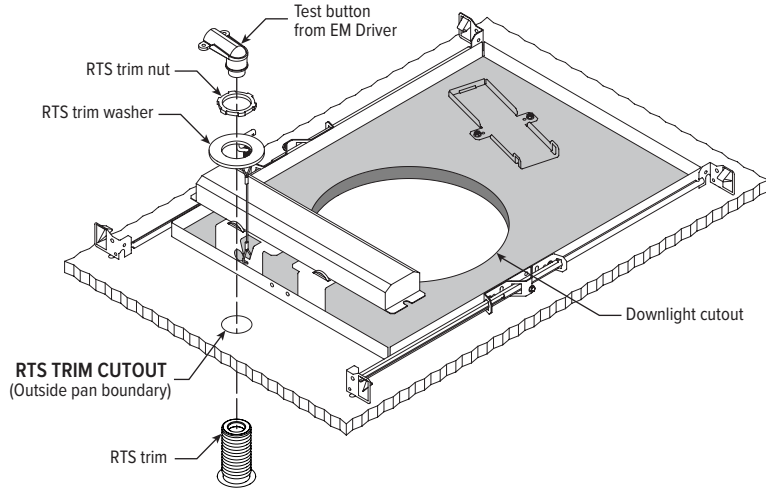


# 8DR LED 8" Downlight – Round

## EM/10W/RTS DETAILS

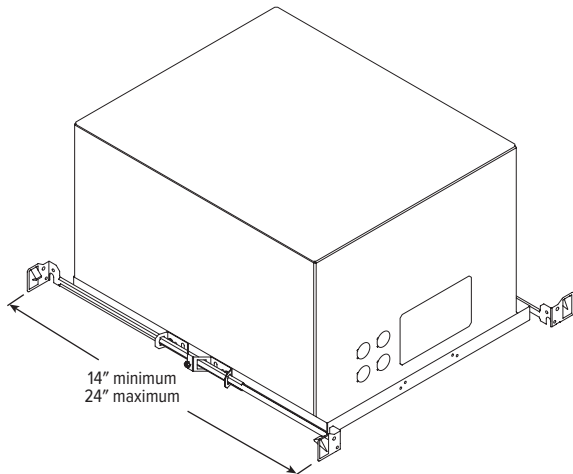
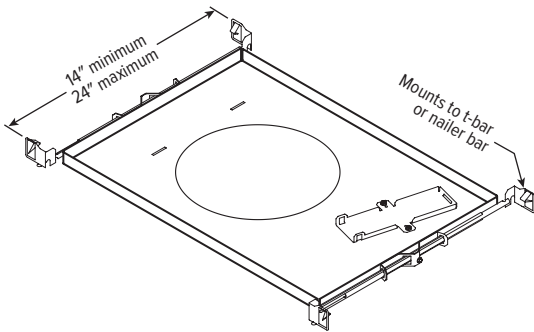


Shown Installed



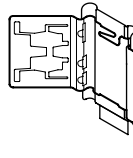
## MOUNTING HARDWARE DETAILS

**F1** Integral 2-position fixed pan bracket, universal bar hanger included

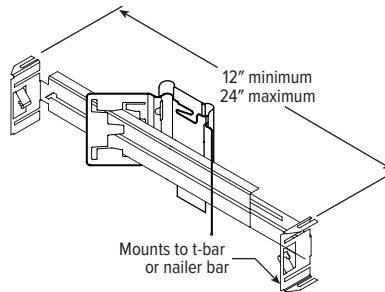


F1 with I Mounting Type

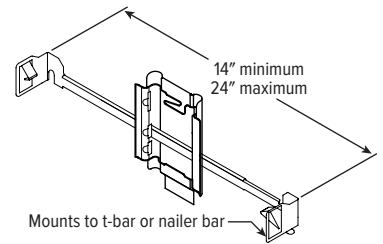
**BA1** Adjustable butterfly pan bracket, bar hanger not included (N Mounting Type only)



**BA2** Adjustable butterfly pan bracket, heavy-duty universal bar hanger included (N Mounting Type only)



**CA1** Adjustable caterpillar pan bracket, universal bar hanger included (N Mounting Type only)



**CA2** Adjustable caterpillar pan bracket, t-bar hanger included (N Mounting Type only)

