

CATALOG #: _____

TYPE: _____

PROJECT: _____

NEW CONSTRUCTION AND REMODEL

FEATURES

- Create scalable, highly functioning smart buildings with Platformatics Power over Ethernet controls!
- Tunable white from 2700K to 5000K CCT, minimum 80 CRI

SPECIFICATIONS

- **HOUSING** – Formed steel housing with forged aluminum heat sink. Galvanized steel splice compartment with driver mounting plate/enclosure. Mounting clips allow for ceiling thickness from 1/2" – 1-1/2" (consult factory for additional ceiling thicknesses).
- **LENSED TRIM** – Die-cast aluminum frame with micro-prismatic, acrylic lens.
- **ELECTRICAL** – High-performance Class 2 LED array. Modular quick-connect plug for easy field-connection of LED light assembly to driver. Reported L70>50,000 hours. Low-voltage DC fixture, to be fed by Class 2 power supply. Tunable White products use LEDs of multiple CCTs and may produce a perceptibly different shade of white from single-CCT products at the same CCT. All CCTs are within 3 MacAdam ellipses.
- **MOUNTING** – Recessed. 20 ga. galvanized steel mounting pan for new construction or IC-rated enclosure. Remodel kit option includes receiver bracket hardware. Minimum 24" O.C. marked spacing required for P40 and P54 lumen packages.
- **LISTINGS** –
 - cCSAus conforms to UL STD 1598; Certified to CAN/CSA STD C22.2 No. 250.0 for damp locations. LED light assembly conforms to UL 2108 for remote installation.
 - Suitable for wet location under covered ceiling when specified with WET/CC option.
 - IC-rated for direct contact with insulation when specified with I Mounting Type.
 - City of Chicago Environmental Air approved when specified with CP option.
 - Complies with ASTM-E283 when specified with ATH option.
 - RoHS compliant.
- **WARRANTY** – 5-year limited warranty, see hew.com/warranty.

SYSTEM REQUIREMENTS

- PoE-ready luminaires are connected to building power systems through network integration and require other components for complete PoE lighting system
- For additional PoE info, see hew.com/poe
- Consult factory for design support



ORDERING EXAMPLE: 6PS - P40/835 - OPTIONS - POE PR - LW - OF - WH - TRIM OPTIONS - N - F1

HOUSING
TRIM
MOUNT.

HOUSING

SERIES	LUMENS ^[1]	CRI	CCT	OPTIONS	CONTROL ^[2]
6PS	P13 1,300lm	8 80	27 2700K	ATH Airtight construction	POE PR Power over Ethernet, Platformatics-ready
	P25 2,500lm	9 90 ^[4]	30 3000K	CP Chicago plenum (CCEA) ^[5]	
	P40 4,000lm		35 3500K		
	P54 5,400lm ^[3]		40 4000K		
			50 5000K		
			TW Tunable white (80 CRI, 2700K–5000K)		

TRIM ^[6]

TRIM TYPE	DISTRIBUTION ^[7]	FLANGE TYPE	REFLECTOR FINISH	TRIM OPTIONS
L Flush lens	W 85° Wide	OF 1/2" standard flange	CS Clear semi-specular powder coat	IP IP65 rated trim
	M 35° Medium ^[8]	SF 1/4" mud-in flange ^[10]	WH White texture powder coat	AD Diffuse acrylic lens ^[11]
	N 30° Narrow ^[9]		BL Black texture powder coat	PD Diffuse 1/8" polycarbonate lens ^[12]
				WET/CC Wet location, covered ceiling listed ^[13]
				AM Anti-microbial ^[14]

MOUNTING

MOUNTING TYPE ^[15]	MOUNTING HARDWARE ^[16]
N Open pan for new construction	F1 Integral 2-position fixed pan bracket, universal bar hanger included ^[19]
I IC-rated enclosure for new construction ^[17]	BA1 Adjustable butterfly pan bracket, bar hanger not included ^[20]
R Remodel kit ^[18]	CA1 Adjustable caterpillar pan bracket, universal bar hanger included ^[21]

NOTES

- Static white lumen output based on L trim type, W distribution and WH finish, 80 CRI, 3000K for single CCT and 4000K for TW. Actual lumens may vary +/-5%. See page 2 for FIXTURE PERFORMANCE DATA.
- See page 4 for NODE CONNECTION DETAILS. For additional PoE info, see hew.com/poe.
- Not available with Tunable White. N Mounting Type only.
- Extended lead times may apply. Consult factory for availability. Not available with Tunable White.
- I Mounting Type required. P25 lumen package max.
- Trim ships separately.
- Beam angle based on WH reflector finish.
- Not available with P54 or tunable white P40 lumen stops.
- Not available with P54 or tunable white P40 lumen stops.
- For use with mud-in plaster construction only, supplied with mud flange installation kit. See page 3 for FLANGE TYPE DETAILS. Not available with ATH or IP options.
- W distribution only.
- W distribution only.
- Not available with PD trim option.
- WH and BL Reflector Finishes only.
- Mounting hardware required (N and I only), ordered separately, see MOUNTING HARDWARE ordering info. See page 3 for MOUNTING TYPE DETAILS.
- Additional mounting hardware options available. See page 4 for MOUNTING HARDWARE DETAILS.
- P13 and P25 lumen packages max.
- Also used in new construction sheetrock ceilings. P25 lumen package max.
- N and I Mounting Types only. I Mounting requires external brackets.
- N Mounting Type only.
- N Mounting Type only.



6PS PoE | tunable WHITE

6" Shallow Plenum Downlight – Square

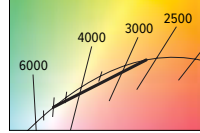
FIXTURE PERFORMANCE DATA

STANDARD

	DISTRIBUTION	DELIVERED LUMENS	WATTAGE	EFFICACY (lm/W)
P13	W	1337	12.3	108.7
	M	1268	12.3	103.1
	N	1217	12.3	98.9
P25	W	2488	25.0	99.5
	M	2360	25.0	94.4
	N	2264	25.0	90.6
P40	W	3972	37.5	105.9
	M	3767	37.5	100.5
	N	3614	37.5	96.4
P54	W	5381	50.0	107.6
	M	-	-	-
	N	-	-	-

TUNABLE WHITE

	DISTRIBUTION	DELIVERED LUMENS	WATTAGE	EFFICACY (lm/W)
P13	W	1073	12.3	87.2
	M	1031	12.3	83.8
	N	994	12.3	80.8
P25	W	2265	25	90.6
	M	2165	25	86.6
	N	2086	25	83.4
P40	W	3868	43.5	88.9
	M	-	-	-
	N	-	-	-



MULTIPLIER TABLES

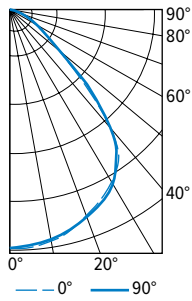
	COLOR TEMPERATURE		
	CCT	LUMENS	
		STANDARD	TUNABLE WHITE
80 CRI	2700K	0.92	0.83
	3000K	0.98	1.00
	3500K	1.00	0.99
	4000K	1.01	1.00
	5000K	1.02	0.98
90 CRI	2700K	0.76	-
	3000K	0.79	-
	3500K	0.82	-
	4000K	0.84	-
	5000K	0.88	-

TRIM	
CATALOG NUMBER	CONVERSION FACTOR
AD	0.85
PD	0.85

- Photometrics tested in accordance with IESNA LM-79. Results shown are based on 25°C ambient temperature.
- Standard results based on 3500K/80 CRI, actual lumens may vary +/-5%
- Tunable white results based on 4000K/80 CRI, actual lumens may vary +/-5%
- Use multiplier tables to calculate additional options.

PHOTOMETRY

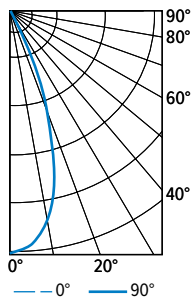
6PS-P40/835-POE PR-LW-OF-WH Total Luminaire Output: 3972 lumens; 37.5 Watts | Efficacy: 105.9 lm/W | 80 CRI; 3500K CCT



CANDLEPOWER DISTRIBUTION	VERTICAL ANGLE	HORIZONTAL ANGLE			ZONAL LUMENS
		0°	45°	90°	
	0	1965	1965	1965	
	5	1965	1955	1949	186
	15	1895	1881	1886	532
	25	1762	1744	1758	809
	35	1563	1562	1526	960
	45	932	1177	924	792
	55	353	553	339	402
	65	169	204	170	188
	75	74	79	75	84
	85	15	13	15	19
	90	0	0	0	

LUMEN SUMMARY	ZONE	LUMENS	% FIXTURE
	0 - 30	1527	38
	0 - 40	2486	63
	0 - 60	3681	93
	0 - 90	3972	100
	0 - 180	3972	100

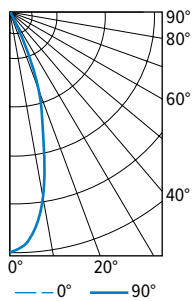
6PS-P40/835-POE PR-LM-OF-WH Total Luminaire Output: 3767 lumens; 37.5 Watts | Efficacy: 100.5 lm/W | 80 CRI; 3500K CCT



CANDLEPOWER DISTRIBUTION	VERTICAL ANGLE	HORIZONTAL ANGLE			ZONAL LUMENS
		0°	45°	90°	
	0	7742	7742	7742	
	5	7587	7536	7486	696
	15	5321	5367	5399	1442
	25	1737	1820	1816	890
	35	519	547	549	365
	45	218	233	231	183
	55	110	122	110	105
	65	54	60	54	56
	75	22	23	22	25
	85	3	4	3	5
	90	0	0	0	

LUMEN SUMMARY	ZONE	LUMENS	% FIXTURE
	0 - 30	3027	80
	0 - 40	3392	90
	0 - 60	3681	98
	0 - 90	3767	100
	0 - 180	3767	100

6PS-P40/835-POE PR-LN-OF-WH Total Luminaire Output: 3614 lumens; 37.5 Watts | Efficacy: 96.4 lm/W | 80 CRI; 3500K CCT



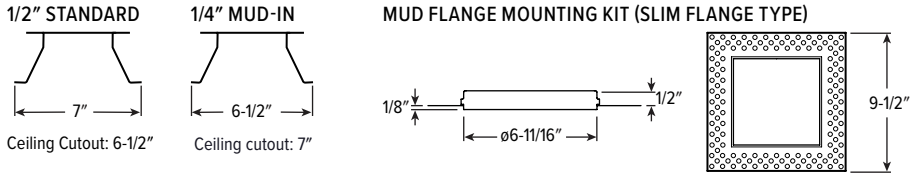
CANDLEPOWER DISTRIBUTION	VERTICAL ANGLE	HORIZONTAL ANGLE			ZONAL LUMENS
		0°	45°	90°	
	0	8772	8772	8772	
	5	8342	8277	8271	749
	15	4876	4921	4891	1341
	25	1521	1624	1597	780
	35	452	476	485	322
	45	214	234	231	179
	55	133	152	137	128
	65	73	82	76	78
	75	27	31	27	32
	85	2	3	3	5
	90	0	0	0	

LUMEN SUMMARY	ZONE	LUMENS	% FIXTURE
	0 - 30	2870	79
	0 - 40	3192	88
	0 - 60	3499	97
	0 - 90	3614	100
	0 - 180	3614	100



6PS PoE | tunable WHITE 6" Shallow Plenum Downlight – Square

FLANGE TYPE DETAILS

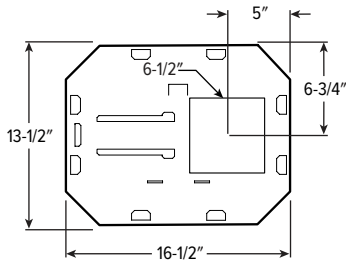


REFLECTOR FINISH DETAILS

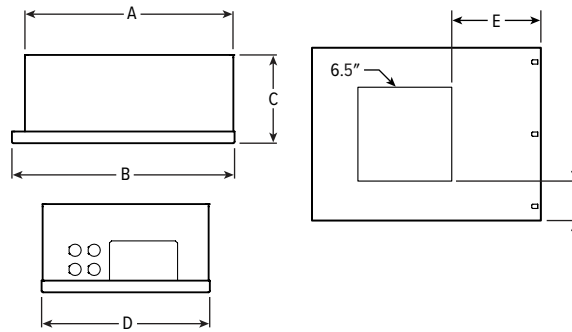


MOUNTING TYPE DETAILS

NEW CONSTRUCTION

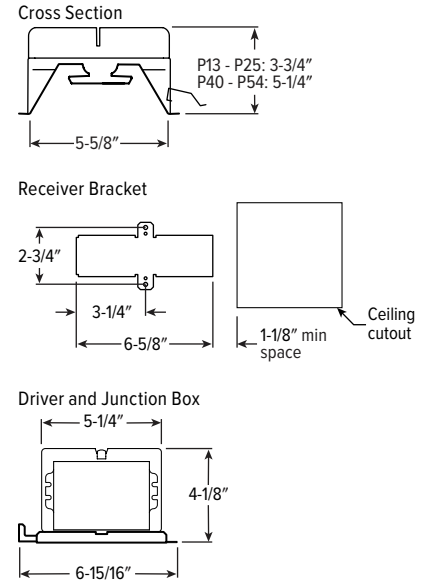


IC-RATED



LUMENS	LENGTH					
	A	B	C	D	E	F
P13	15-3/16"	16"	4-1/2"	12-1/8"	6-1/4"	2-13/16"
P25	15-3/16"	16"	6-3/8"	12-1/8"	6-1/4"	2-13/16"

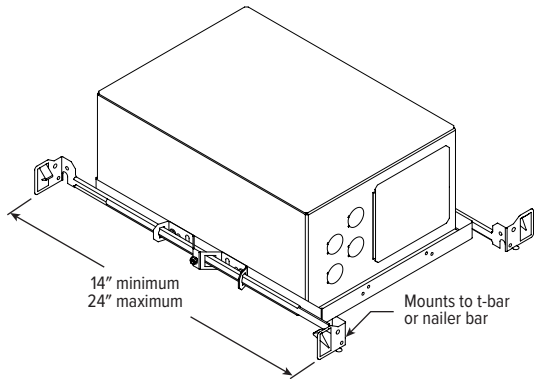
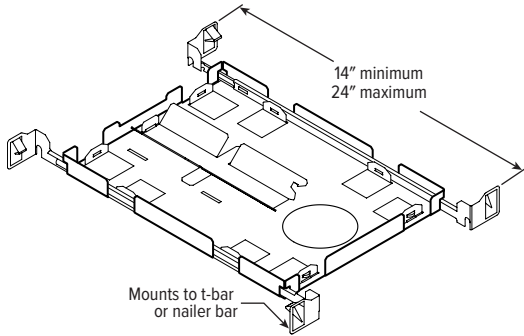
REMODEL



6PS PoE | tunable WHITE 6" Shallow Plenum Downlight – Square

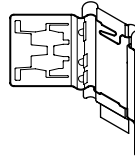
MOUNTING HARDWARE DETAILS

F1 Integral 2-position fixed pan bracket, universal bar hanger included

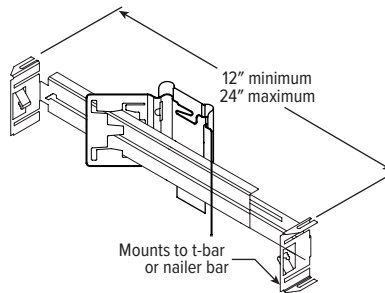


F1 with I Mounting Type

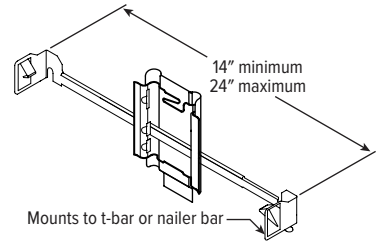
BA1 Adjustable butterfly pan bracket, bar hanger not included (N Mounting Type only)



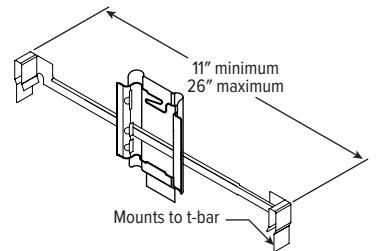
BA2 Adjustable butterfly pan bracket, heavy-duty universal bar hanger included (N Mounting Type only)



CA1 Adjustable caterpillar pan bracket, universal bar hanger included (N Mounting Type only)



CA2 Adjustable caterpillar pan bracket, t-bar hanger included (N Mounting Type only)



NODE CONNECTION DETAILS

Includes 24" cable with 4-position mating connector for Platformatics POE-LN2 node. See node spec sheet for details: platformatics.com/product/poe-ln2

