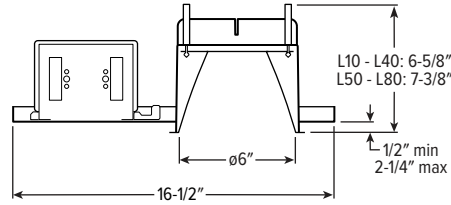


6DR LED 6" Downlight – Round



CATALOG #: _____

TYPE: _____

PROJECT: _____

NEW CONSTRUCTION AND REMODEL

FEATURES

TrimLock® | LINKTair™

- Innovative TrimLock reflector retention system ensures trim remains flush with ceiling plane
- Available with LINKTair wireless fixture controls, by Williams
- Available on QuickShip

SPECIFICATIONS

- HOUSING** – Die-cast aluminum trim housing with forged aluminum heat sink. Galvanized steel splice compartment with driver mounting plate/enclosure. Swing-out mounting arms field adjust for ceiling thickness from 1/2" – 2-1/4".
- TRIMLOCK** – Innovative TrimLock reflector retention system ensures the trim remains flush with the ceiling plane.
- OPEN REFLECTOR** – Low-iridescent anodized aluminum. Clear semi-specular finish standard.
- LENSED TRIM** – Die-cast aluminum frame with micro-prismatic, acrylic lens.
- ELECTRICAL** – High-performance Class 2 C.O.B. LED array. Modular quick-connect plug for easy field-connection of LED light assembly to driver. Reported L70>55,000 hours. Reported L90>55,000 hours. Estimated L70 = 200,000 hours.
- MOUNTING** – Recessed. 20 ga. galvanized steel mounting pan for new construction or IC-rated enclosure. Remodel kit option includes receiver bracket hardware. Minimum 24" O.C. marked spacing required for L60 - L80 lumen packages.

- LISTINGS** –
 - cCSAus conforms to UL STD 1598; Certified to CAN/CSA STD C22.2 No. 250.0 for damp locations. LED light assembly conforms to UL 2108 for remote installation.
 - Suitable for wet location under covered ceiling when specified with WET/CC or TD options.
 - ENERGY STAR® certified in select configurations, see www.energystar.gov
 - IC-rated for direct contact with insulation when specified with I Mounting Type.
 - City of Chicago Environmental Air approved when specified with CP option.
 - Complies with ASTM-E283 when specified with ATH option.
 - RoHS compliant.
 - Title 24 (JAB) compliant in select configurations, see www.cacertappliances.energy.ca.gov.
- WARRANTY** – 5-year limited warranty, see hew.com/warranty.

ORDERING EXAMPLE: 6DR - TL - L20/835 - OPTIONS - DIM - UNV - OW - OF - CS - TRIM OPTIONS - N - F1

HOUSING

SERIES	LUMENS ^[1]	CRI	CCT	OPTIONS	CONTROL ^[2]	VOLTAGE
6DR - TL	L10 1,000lm ^[3]	8 80	27 2700K	SCA_	Sloped ceiling adapter ^[5]	UNV 120-277V
TrimLock	L15 1,500lm	9 90 ^[4]	30 3000K	ATH	Airtight construction	347 347V ^[6]
	L20 2,000lm		35 3500K	F	Fuse	DIM1 1% Dimming driver, 0-10V
	L30 3,000lm		40 4000K	EM/7W	7-watt emergency battery ^[7]	
	L40 4,000lm		50 5000K	EM/10W	10-watt emergency battery ^[8]	
	L50 5,000lm			EM/10W/RTS	10-watt emergency battery with regressed test switch ^[9]	
	L60 6,000lm			CP	Chicago plenum (CCEA) ^[10]	
	L70 7,000lm			SDT	Stepdown transformer ^[11]	
	L80 8,000lm					

TRIM^[12]

TRIM TYPE	DISTRIBUTION ^[13]	FLANGE TYPE	REFLECTOR FINISH	TRIM OPTIONS
O Open reflector	W Wide	OF 1/2" standard flange	Open trim types	MWT Textured white trim flange ^[20]
L Flush lens	65° Open	SF 1/4" mud-in flange ^[19]	CS Clear semi-specular anodize	IP IP65 rated trim ^[21]
R Regressed lens	55° Flush		SG Satin-glow anodize	AD Diffuse acrylic lens ^[22]
A Angled lens ^[14]	55° Regressed		GD Gold anodize	PD Diffuse 1/8" polycarbonate lens ^[23]
S Non-conductive flush lens for shower applications ^[15]	M Medium ^[16]		CG Champagne gold anodize	TD Diffuse polycarbonate lens media at top of open reflector ^[24]
	35° Open		PW Pewter anodize	WET/CC Wet location, covered ceiling listed ^[25]
	35° Flush		SPC Clear specular anodize	AM Anti-microbial ^[26]
	35° Regressed		RG Rose gold anodize	
	N Narrow ^[17]		WH White texture powder coat	
	10° Open		BL Black texture powder coat	
	25° Flush			
	25° Regressed			
	WW Wall wash ^[18]			
			Lens trim types	
			CS Clear semi-specular powder coat	
			WH White texture powder coat	
			BL Black texture powder coat	
			MB Black texture splay with white flange ^[27]	

MOUNTING

MOUNTING TYPE^[28]

- N Open pan for new construction
- I IC-rated enclosure for new construction^[30]
- R Remodel kit^[31]

MOUNTING HARDWARE^[29]

- F1 Integral 2-position fixed pan bracket, universal bar hanger included^[32]
- BA1 Adjustable butterfly pan bracket, bar hanger not included^[33]
- CA1 Adjustable caterpillar pan bracket, universal bar hanger included^[34]

NOTES

- Lumen output based on O trim type, W distribution and CS finish, 3500K/80CRI. Actual lumens may vary +/-5%. See page 2 for FIXTURE PERFORMANCE DATA.
- See page 3 for ADDITIONAL CONTROL OPTIONS.
- Not available with EM/10W emergency batteries.
- Extended lead times may apply. Consult factory for availability.
- 11-1/2" aperture, specify degrees of slope in 5° increments, 05°-30°. Not available with I Mounting Type, ATH or WET/CC options. Painted white. Other colors available, consult factory. See page 3 for SLOPED CEILING ADAPTOR DETAILS.
- Not available with EM batteries or DMX controls.
- N and R Mounting Types only. Not available with ATH or IP options.
- N and R Mounting Types only. Not available with ATH or IP options.
- Not available with WET/CC, ATH or IP options.
- N and R Mounting Types only. See page 5 for EM/10W/RTS DETAILS.
- I Mounting Type required.
- May be required for 347V, see product builder at hew.com/product-builder.
- Trim ships separately.
- Beam angle based on CS or WH reflector finish. See page 2 for FIXTURE PERFORMANCE DATA.
- Available with WW Distribution only.
- W Distribution, OF Flange Type and WH Reflector Finish only. Standard with AD diffuse acrylic lens. IP and WET/CC options standard.
- Not available with lumen stops L50 and higher when specified with flush or regressed trim types.
- Not available with lumen stops L50 and higher when specified with flush or regressed trim types.
- O and A Trim Types only.
- For use with mud-in plaster construction only, supplied with mud flange installation kit. See page 4 for FLANGE TYPE DETAILS. Not available with ATH or IP options.
- Not available with WH Reflector Finish, L or S Trim Types.
- L and R trim types only.
- Not available with O trim type. W and WW distributions only.
- Not available with O trim type. W and WW distributions only.
- O Trim Type only. WET/CC standard unless ordered with EM/RTS. L50 lumen package max.
- L50 lumen package max with O Trim Type. Not available with PD trim option.
- WH and BL Reflector Finishes only. Not available with S Trim Type.
- R Trim Type only. Not available with MWT.
- Mounting hardware required (N and I only), ordered separately, see MOUNTING HARDWARE ordering info. See page 4 for MOUNTING TYPE DETAILS.
- Additional mounting hardware options available. See page 5 for MOUNTING HARDWARE DETAILS.
- L30 lumen package max.
- Also used in new construction sheetrock ceilings.
- N and I Mounting Types only. I Mounting requires external brackets.
- N Mounting Type only.
- N Mounting Type only.



6DR LED 6" Downlight – Round

FIXTURE PERFORMANCE DATA

OPEN REFLECTOR TRIM TYPE

	DIST.	DELIVERED LUMENS	WATTAGE	EFFICACY (lm/W)
L10	W	1014	8.7	116.9
	M	982	8.7	113.2
	N	1003	8.7	115.7
L15	W	1497	13.8	108.6
	M	1495	13.8	108.4
	N	1528	13.8	110.8
L20	W	1988	19.0	104.6
	M	1983	19.1	103.8
	N	2026	19.1	106.1
L30	W	3062	26.9	114.0
	M	3003	26.9	111.8
	N	3000	26.9	111.7
L40	W	4094	36.5	112.2
	M	4016	36.4	110.3
	N	4011	36.4	110.2
L50	W	5014	43.9	114.1
	M	4935	43.9	112.3
	N	5047	43.9	114.9
L60	W	6043	54.0	111.9
	M	5948	54.0	110.1
	N	6083	54.0	112.6
L70	W	7008	67.8	103.3
	M	6898	67.8	101.7
	N	7055	67.8	104.0
L80	W	8018	79.8	100.5
	M	7891	79.8	98.9
	N	8071	79.8	101.2

FLUSH LENS TRIM TYPE

	DIST.	DELIVERED LUMENS	WATTAGE	EFFICACY (lm/W)
L10	W	774	8.7	89.2
	M	910	8.7	104.9
	N	909	8.7	104.8
L15	W	1178	13.8	85.4
	M	1385	13.8	100.4
	N	1384	13.8	100.4
L20	W	1562	19.5	80.1
	M	1837	19.1	96.1
	N	1836	19.5	94.2
L30	W	2335	26.9	86.9
	M	2782	26.9	103.6
	N	2718	26.9	101.2
L40	W	3122	36.5	85.5
	M	3720	36.4	102.2
	N	3635	36.4	99.9
L50	W	3824	43.9	87.0
	M	-	-	-
	N	-	-	-
L60	W	4609	54.0	85.4
	M	-	-	-
	N	-	-	-
L70	W	5345	67.8	78.8
	M	-	-	-
	N	-	-	-
L80	W	6115	79.8	76.7
	M	-	-	-
	N	-	-	-

REGRESSED LENS TRIM TYPE

	DIST.	DELIVERED LUMENS	WATTAGE	EFFICACY (lm/W)
L10	W	716	8.7	82.5
	M	883	8.7	101.7
	N	897	8.7	103.4
L15	W	1090	13.8	79.0
	M	1344	13.8	97.4
	N	1366	13.8	99.1
L20	W	1445	19.5	74.1
	M	1782	19.1	93.3
	N	1812	19.5	92.9
L30	W	2160	26.9	80.4
	M	2699	26.9	100.5
	N	2683	26.9	99.9
L40	W	2889	36.5	79.1
	M	3609	36.4	99.1
	N	3587	36.4	98.6
L50	W	3537	43.9	80.5
	M	-	-	-
	N	-	-	-
L60	W	4264	54.0	79.0
	M	-	-	-
	N	-	-	-
L70	W	4945	67.8	72.9
	M	-	-	-
	N	-	-	-
L80	W	5657	79.8	70.9
	M	-	-	-
	N	-	-	-

MULTIPLIER TABLES

	COLOR TEMPERATURE	
	CCT	CONVERSION FACTOR
80 CRI	2700K	0.92
	3000K	0.98
	3500K	1.00
	4000K	1.01
	5000K	1.02
90 CRI	2700K	0.76
	3000K	0.79
	3500K	0.82
	4000K	0.84
	5000K	0.88

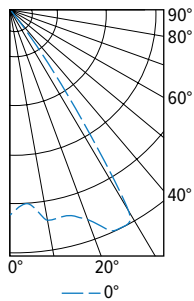
	REFLECTOR FINISH	
	CATALOG NUMBER	CONVERSION FACTOR
O TRIM	CS	1.00
	SG ¹	0.92
	GD	0.93
	CG	0.96
	PW	0.86
	SPC	1.02
	RG	0.88
	WH ¹	0.89
	BL ¹	0.47
	R TRIM	WH
CS		0.98
BL		0.79

	TRIM	
	CATALOG NUMBER	CONVERSION FACTOR
S	0.85	
AD	0.85	
PD	0.85	
TD	0.75	
WET/CC ²	0.85	

- ¹ Distribution will also be affected, consult factory.
- ² Use multiplier when specified with O Trim Type.
- Photometrics tested in accordance with IESNA LM-79. Results shown are based on 25°C ambient temperature.
- Wattage shown is based on 120V input.
- Results based on 3500K, 80 CRI, actual lumens may vary +/-5%
- Use multiplier tables to calculate additional options.

PHOTOMETRY

6DR-TL-L20/835-DIM-UNV-OW-OF-CS Report #: 20687; 12/12/18 | Total Luminaire Output: 1988 lumens; 19.0 Watts | Efficacy: 104.6 lm/W | 82.9 CRI; 3457K CCT



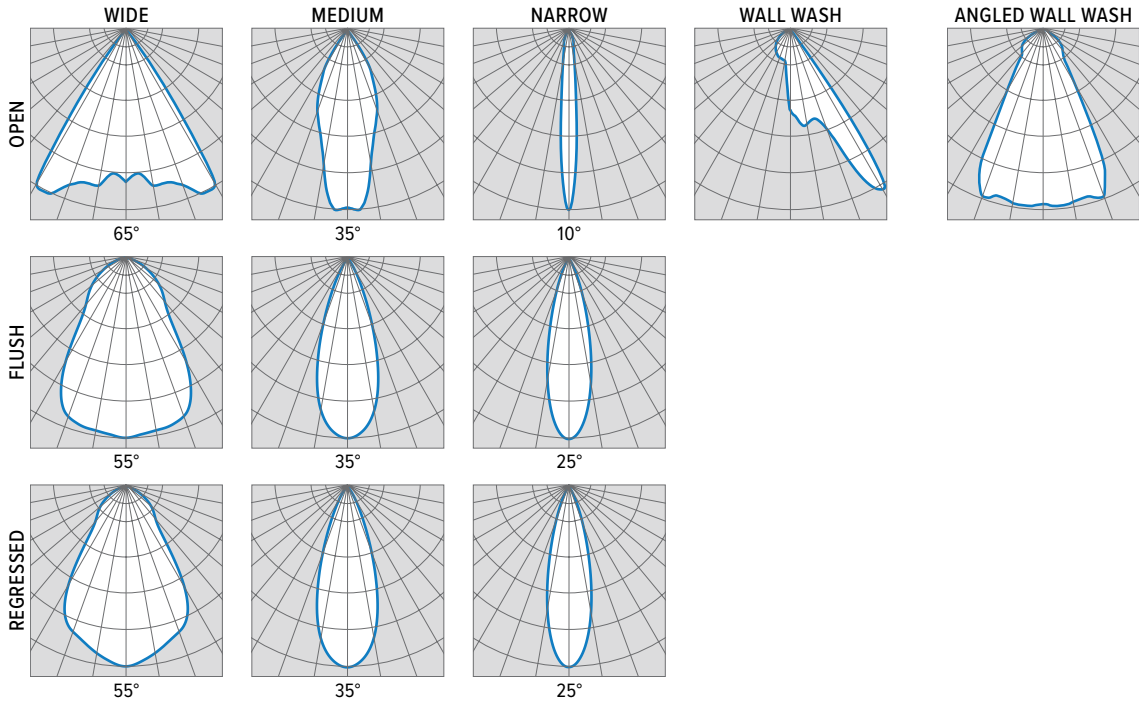
CANDLEPOWER DISTRIBUTION	VERTICAL ANGLE	HORIZONTAL ANGLE	ZONAL LUMENS
		0°	
	0	1672	
	5	1579	151
	15	1735	492
	25	1982	917
	35	604	380
	45	46	36
	55	13	12
	65	2	2
	75	0	0
	85	0	0
	90	0	0

LUMEN SUMMARY	ZONE	LUMENS	% FIXTURE
	0 - 40	1939	98
	0 - 60	1987	100
	0 - 90	1988	100
	0 - 180	1988	100



6DR LED

6" Downlight – Round



ADDITIONAL CONTROL OPTIONS

Lumen restrictions apply: L40 max for DMX driver, L40 max for Lutron drivers, L50 max for ELDO drivers, L15 minimum for DIM LINE driver, L60 max for DIM LINE driver. R Mounting Type not available with DMX controls. R Mounting Type requires 12" minimum plenum depth when specified with VRF/DBI controls. 347V may require stepdown transformer, see product builder at hew.com/product-builder. I Mounting Type not available with Lutron controls.

CATALOG NUMBER	DESCRIPTION
DIM	Dimming driver prewired for 0-10V low voltage applications
DIM1	1% dimming driver prewired for 0-10V low voltage applications
DIM LINE	Line voltage dimming driver (TRIAC and ELV compatible at 120V only)
DMX	0.1% dimming driver for DMX controls
LTE LINE	Lutron Hi-lume 1% 2-wire dimming driver forward phase line voltage controls (120V only)
LDE1	Lutron Hi-lume 1% EcoSystem dimming LED driver
VRF/DBI/LDE1	Lutron Vive integral fixture control, RF only (DFCSJ-OEM-RF), Lutron Hi-lume 1% EcoSystem dimming LED driver, and digital link interface
FCJS/DIM	Lutron Vive PowPak wireless fixture control with dimming driver
FCJS/DIM1	Lutron Vive PowPak wireless fixture control with 1% dimming driver
ELDO SOLOB	EldoLED Solodrive, 0.1% dimming driver for 0-10V controls
ELDO SOLOB DALI	EldoLED Solodrive, 0.1% dimming driver for DALI controls
ELDO ECO1	EldoLED Ecodrive, 1% dimming driver for 0-10V controls
ELDO ECO1 DALI	EldoLED Ecodrive, 1% dimming driver for DALI controls

TRIMLOCK DETAILS



SLOPED CEILING ADAPTOR DETAILS

LUMENS	A (HEIGHT)						PLENUM HEIGHT
	5°	10°	15°	20°	25°	30°	
L10 - L40	10-11/16"	10-7/8"	10-15/16"	10-7/8"	10-13/16"	10-5/8"	11-1/4"
L50 - L80	11-7/16"	11-9/16"	11-5/8"	11-5/8"	11-1/2"	11-1/4"	12"

15° Shown

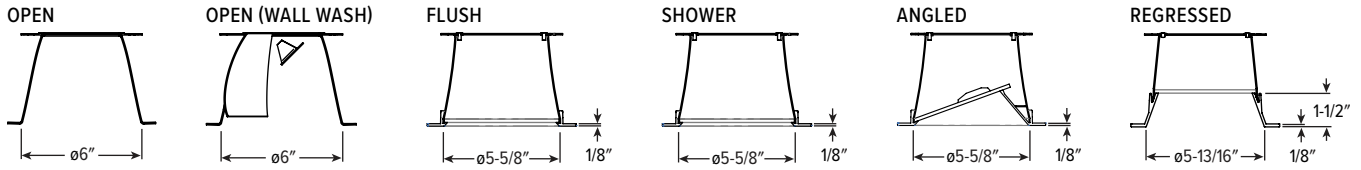
Ceiling cutout: ϕ 11-7/8"



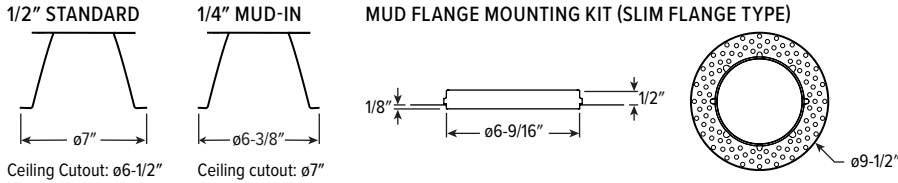
6DR LED

6" Downlight – Round

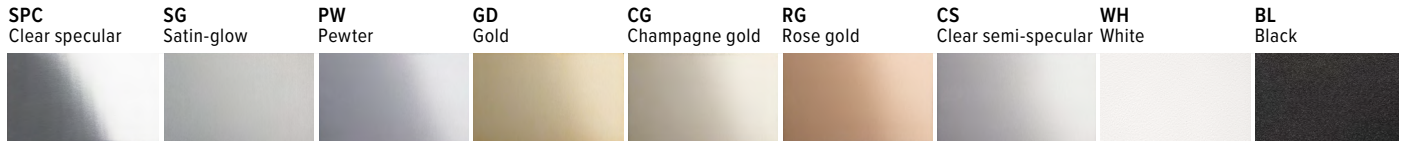
TRIM TYPE DETAILS



FLANGE TYPE DETAILS



REFLECTOR FINISH DETAILS



MOUNTING TYPE DETAILS

NEW CONSTRUCTION

IC-RATED

LUMENS	LENGTH					
	A	B	C	D	E	F
L10 - L20	15-3/16"	16"	6-3/8"	12-1/8"	9-1/2"	6-1/16"
L30	16-5/8"	17-1/2"	7-7/8"	14"	10-1/4"	7"

REMODEL

Cross Section

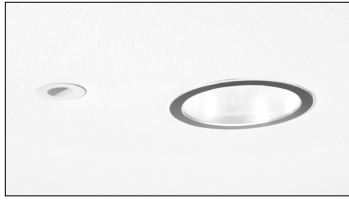
Receiver Bracket

Driver and Junction Box

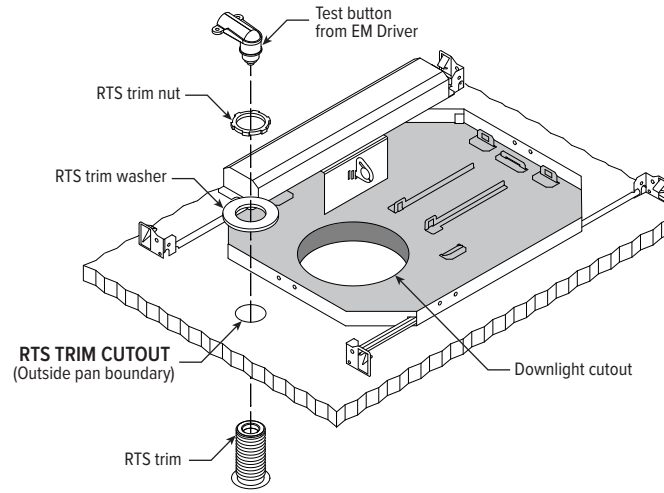


6DR LED 6" Downlight – Round

EM/10W/RTS DETAILS

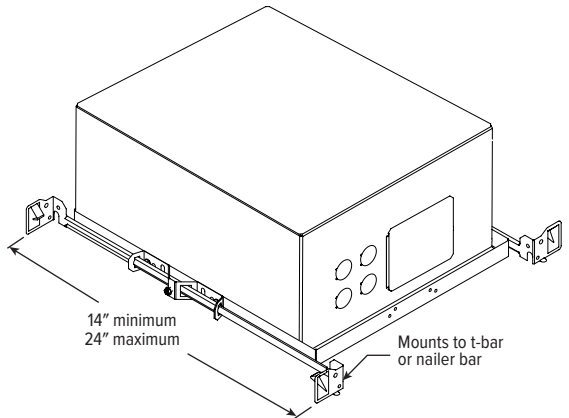
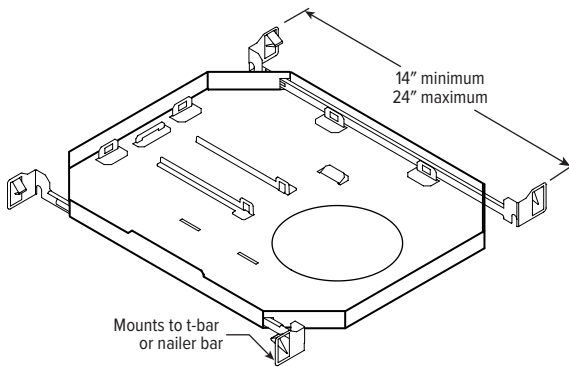


Shown Installed



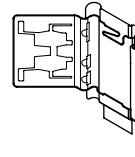
MOUNTING HARDWARE DETAILS

F1 Integral 2-position fixed pan bracket, universal bar hanger included

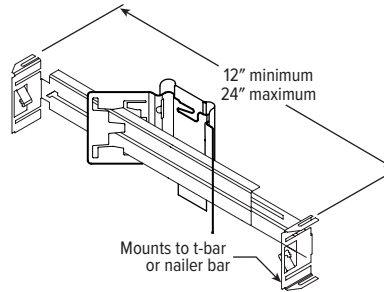


F1 with I Mounting Type

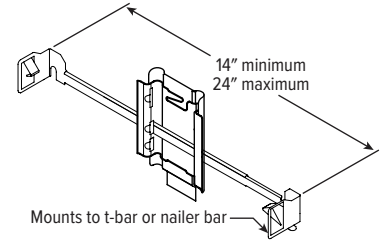
BA1 Adjustable butterfly pan bracket, bar hanger not included (N Mounting Type only)



BA2 Adjustable butterfly pan bracket, heavy-duty universal bar hanger included (N Mounting Type only)



CA1 Adjustable caterpillar pan bracket, universal bar hanger included (N Mounting Type only)



CA2 Adjustable caterpillar pan bracket, t-bar hanger included (N Mounting Type only)

