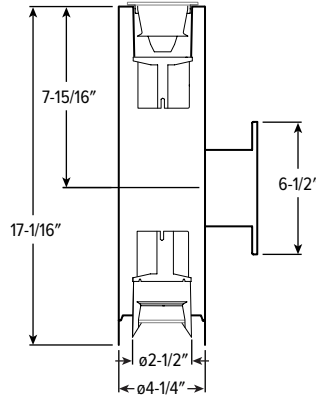


4CRDI dim to WARM

4" Direct/Indirect Cylinder – Round



CATALOG #: _____

TYPE: _____

PROJECT: _____

FEATURES

- Slim profile for unobtrusive illumination
- Smoothly accent walls and eliminate dark ceilings with direct and indirect lighting
- Create a comfortable, welcoming ambiance using warm dimming technology to provide intimate lighting
- Parallel the performance and style of the Williams downlight collection
- Precision illumination with 15° narrow to 70° wide optics
- Complement the architectural elements of any space with a multitude of housing and trim finishes

SPECIFICATIONS

- HOUSING – Extruded aluminum with die-cast aluminum accent ring.
- FINISH – Polyester powder coat bonded to phosphate-free, multi-stage pretreated metal. All parts painted after fabrication to facilitate installation, increase efficiency, and inhibit corrosion.
- OPEN REFLECTOR – Low-iridescent anodized aluminum. Clear semi-specular finish standard.
- LENSED TRIM – Die-cast aluminum frame with micro-prismatic, acrylic lens.
- ELECTRICAL – High-performance Class 2 C.O.B. LED array. Modular quick-connect plug for easy field-connection of LED light assembly to driver. Reported L70>55,000 hours. Reported L90 = 49,000 hours. Estimated L70 = 179,000 hours.
- MOUNTING – Wall mount. Indoor applications only. Max weight 5-1/2 lbs.
- LISTINGS –
 - cCSAus conforms to UL STD 1598 and UL STD 8750. Certified to CAN/CSA STD C22.2 No. 250.0. Suitable for damp locations.
- WARRANTY – 5-year limited warranty, see hew.com/warranty.

ORDERING EXAMPLE: 4CRDI - L12/9DWU/L12/9DWD - WHT - DIM1 - UNV - OW/LM - CS - TRIM OPTIONS - WM MOUNT.

HOUSING

SERIES	LUMEN PACKAGE (Example: L12/9DWU/L7/9DWD)	HOUSING FINISH ^[1]	CONTROL	VOLTAGE
4CRDI	Specify lumen packages: U for Uplight and D for Downlight	ALUM Silver sparkle aluminum	DIM1 1% dimming driver (0-10V signal to control dimming and CCT)	UNV 120-277V
	LUMENS ^[2] COLOR	BLK Textured black		
	L7 700lm 9DW Dim to warm (95 CRI, 1800K – 3000K)	BRZ Textured bronze	LUT Lutron Ecosystem enabled	
	L12 1,200lm	NKL Textured nickel		
		SLV Textured silver		
		WHT Textured white		

TRIM

TRIM TYPE AND DISTRIBUTION ^[3] (Example Uplight/Downlight: OW/LM)	REFLECTOR FINISH ^[4]	TRIM OPTIONS
TRIM TYPE	Downlight Open Trim Types	AD Diffuse acrylic lens ^[5]
Uplight	CS Clear semi-specular anodize	PD Diffuse 1/8" polycarbonate lens ^[6]
O Open reflector with clear glass shield ^[8]	SG Satin-glow anodize	TD Diffuse polycarbonate lens media at top of open reflector ^[7]
Downlight	GD Gold anodize	
O Open reflector	CG Champagne gold anodize	
L Flush lens	PW Pewter anodize	
R Regressed lens	SPC Clear specular anodize	
	RG Rose gold anodize	
	WH White texture powder coat	
	BL Black texture powder coat	
	Downlight Lens Trim Types	
	CS Clear semi-specular powder coat	
	WH White texture powder coat	
	BL Black texture powder coat	
	BZ Bronze texture powder coat	
	NK Nickel texture powder coat	
	SV Silver texture powder coat	
	AL Silver sparkle aluminum	

MOUNTING

MOUNTING TYPE ^[11]

WM Wall mount

NOTES

- See page 4 for HOUSING FINISH DETAILS.
- Lumen output based on O trim type, W distribution and CS finish, 3000K/95CRI. Actual lumens may vary +/-5%, see page 2 for FIXTURE PERFORMANCE DATA.
- Beam angle based on O Trim Type and CS Reflector Finish. Trim Type affects beam angle. See page 2 for FIXTURE PERFORMANCE DATA.
- Specified for downlight Trim Type only. See page 4 for REFLECTOR FINISH DETAILS.
- Not available with O Trim Type. Downlight only. W distribution only.
- Not available with O Trim Type. Downlight only.
- O Trim Type only. Downlight only.
- CS Reflector Finish standard. Other colors available, consult factory.
- O Trim Type only.
- Not available with L12 lumen package when specified with L or R Trim Type.
- See page 3 for MOUNTING DETAILS.



4CRDI dim to WARM

4" Direct/Indirect Cylinder – Round

FIXTURE PERFORMANCE DATA

	CCT AT 100% (FULL OUTPUT)	CCT AT 1% (FULL DIM)	DIST.	DOWNLIGHT						UPLIGHT			
				WATTAGE	OPEN REFLECTOR		FLUSH LENS		REGRESSED LENS		WATTAGE	OPEN REFLECTOR	
					DELIVERED LUMENS	EFFICACY (lm/W)	DELIVERED LUMENS	EFFICACY (lm/W)	DELIVERED LUMENS	EFFICACY (lm/W)		DELIVERED LUMENS	EFFICACY (lm/W)
L7	3000K	1800K	W	14.8	715	48	749	51	741	50	14.8	585	40
			M	14.8	710	48	757	51	725	49	14.8	581	39
			N	14.8	590	40	764	52	745	50	14.8	482	33
L12			W	23.3	1239	53	1297	56	1284	55	23.3	1013	43
			M	23.3	1243	53	1327	57	1269	54	23.3	1016	44
			N	23.3	941	40	-	-	-	-	23.3	769	33

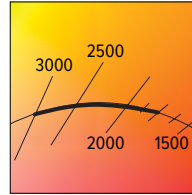
MULTIPLIER TABLES

	REFLECTOR FINISH	
	CATALOG NUMBER	CONVERSION FACTOR
O TRIM	CS	1.00
	SG ^[1]	0.92
	GD	0.93
	CG	0.96
	PW	0.86
	SPC	1.02
	RG	0.88
	WH ^[1]	0.89
	BL ^[1]	0.47

TRIM OPTIONS	
CATALOG NUMBER	CONVERSION FACTOR
AD	0.85
PD	0.85
TD	0.67

BEAM ANGLE

	TRIM TYPE		
	OPEN	FLUSH	REGRESSED
W	70°	50°	55°
M	40°	30°	30°
N	15°	20°	20°

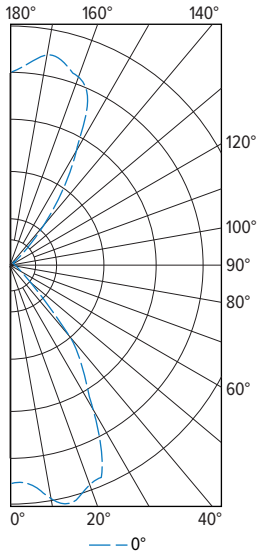


- Distribution will also be affected, consult factory.
- Photometrics tested in accordance with IESNA LM-79. Results shown are based on 25°C ambient temperature.
- Wattage shown is based on 120V input.
- Results based on 3000K/95CRI and CS (O Trim Type) or WH (L and R Trim Types) Reflector Finish. Actual lumens may vary +/-5%.
- Wattage is for downlight or uplight components. Add wattages together for selected lumen packages to find total fixture wattage.
- Use multiplier tables to calculate additional options.

R TRIM	WH	1.00
	CS ^[1]	0.98
	BL ^[1]	0.79
	BZ ^[1]	0.76
	NK ^[1]	0.81
	SV ^[1]	0.81
	AL ^[1]	0.86

PHOTOMETRY

4CRDI-L12/9DWU/L12/9DWD-WHT-DIM1-UNV-OW/OW-CS-WM Total Luminaire Output: 2257 lumens; 46.6 Watts | Efficacy: 48 lm/W | 95 CRI; 3000K CCT



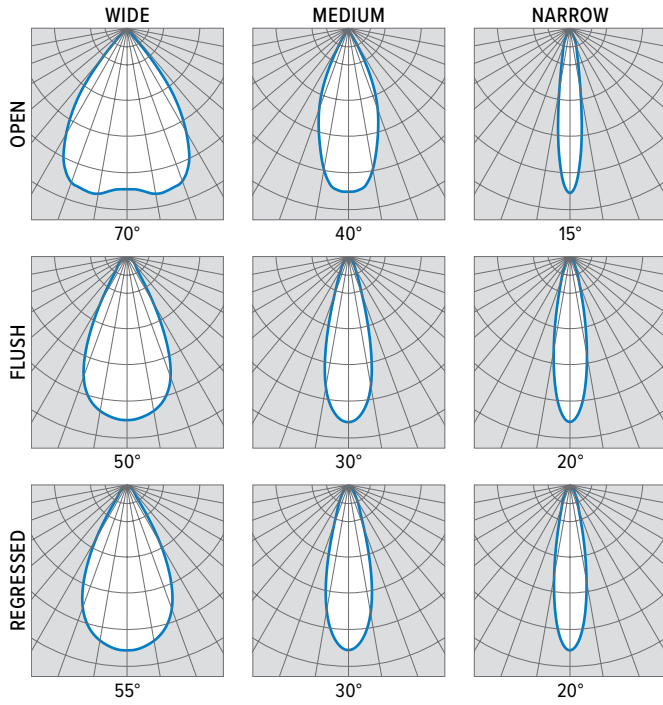
	VERTICAL ANGLE	HORIZONTAL ANGLE	ZONAL LUMENS
		0°	
	0	1006	
	5	1017	98
	15	1044	295
	25	930	419
	35	545	327
	45	75	78
	55	17	17
	65	6	6
	75	1	1
	85	0	0
	90	2	
	95	3	3
	105	6	6
	115	13	13
	125	30	28
	135	76	69
	145	368	226
	155	770	338
	165	880	248
	175	864	84
	180	823	

LUMEN SUMMARY	ZONE	LUMENS	% FIXTURE
	0 - 30	812	36
	0 - 40	1139	51
	0 - 60	1234	55
	0 - 90	1241	55
	90 - 120	23	1
	90 - 150	346	15
	90 - 180	1016	45
0 - 180	2257	100	



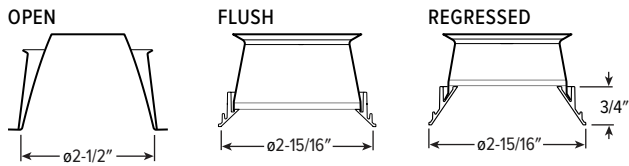
4CRDI dim to WARM

4" Direct/Indirect Cylinder – Round

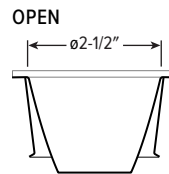


TRIM TYPE DETAILS

DOWNLIGHT

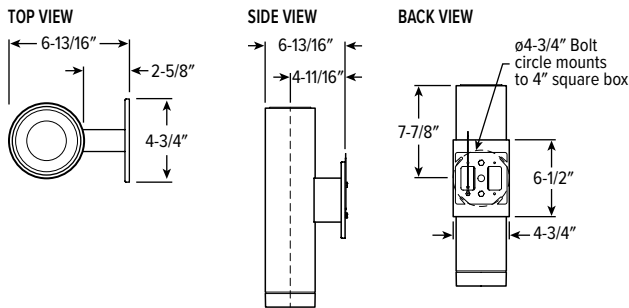


UPLIGHT



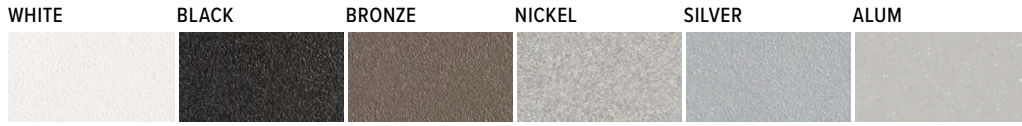
MOUNTING DETAILS

Mounts to 4" square J-box



4CRDI dim to **WARM** 4" Direct/Indirect Cylinder – Round

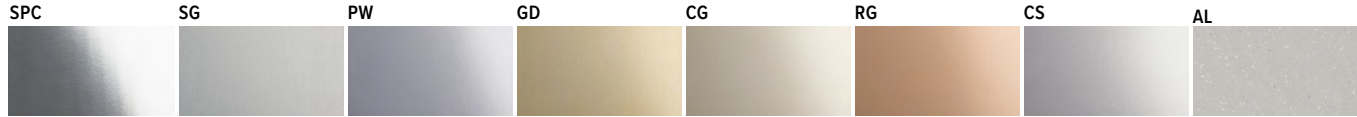
HOUSING FINISH DETAILS



For custom color, please specify RAL code or a manufacturer code with description. All custom colors other than RAL require two sample swatches, minimum 1" square.

REFLECTOR FINISH DETAILS

SMOOTH FINISH



TEXTURED FINISH

