

**Warning:**

- Caution - Risk of Shock. This product must be installed in accordance with the applicable installation code by a person familiar with the construction and operation of the product and the hazards involved.
- Make sure all electrical power is turned off while installing the fixture.
- Warning Risk of Electrical Shock - Verify that supply voltage is correct by comparing it with the luminaire label information.
- This luminaire must be adequately grounded for protection against shock hazards and to assure proper operation.
- Disconnect power before servicing.
- When lifting Archilinear bollard onto anchor bolts, do not lift on top or place anything through center opening to assist lifting. Straps can be placed around the center of bollard body.

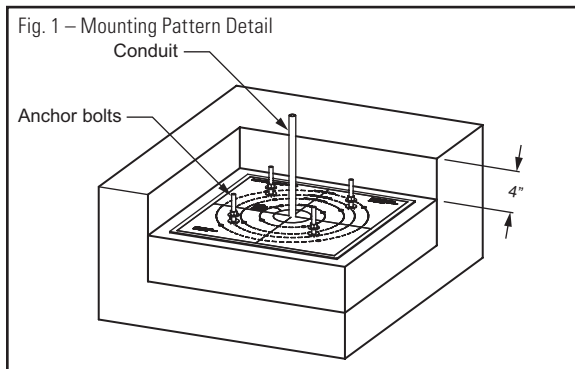
**Step 1:** Power source is supplied to the fixture through the electrical conduit extending 6" above grade. The conduit enters through the base plate as indicated on the anchor bolt template (provided).

**Step 2:** Prepare for an adequate concrete footing that will fully surround and embed the anchor bolts. The footing depth recommendation is 18". The top of the concrete surface should be a minimum of 4" below the finished grade with a level finished surface. The footing shall be no less in dimension than the base plate.

**Step 6:** Make sure that all power is turned off. Remove electrical access cover and locate the bollard electrical cord and the branch circuit conductors.

**Step 7:** Terminate branch conductors to bollard conductors using wire connectors supplied (black – AC line, white – AC neutral, green – ground).

**Step 8:** Install electrical access cover.



**Step 3:** Using the anchor bolt template provided, orientate the bollard to the desired position, light direction arrow(s) and splice cover notation on template assist in orientation position. Set in the anchor bolts and conduit accordingly. The top of the bolt shall be 1" below finished grade. The top of the conduit shall be 6" above finished grade (Fig. 1).

**Step 4:** Carefully position the concrete bollard housing on to the fully hardened footing with anchoring bolts, leveling nuts with washers, and conduit in place. Level and secure with anchoring hardware (provided).

**Step 5:** To maintain maximum stability, pack grout between the base plate and footing to ensure full contact with foundation (Fig. 2).

